

COMBOSEAL

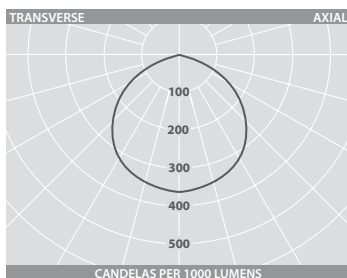


The Comboseal is available in 65W, 98W and 137W power ratings, with Smart versions suitable for use up to 8m.

ACCESSORIES

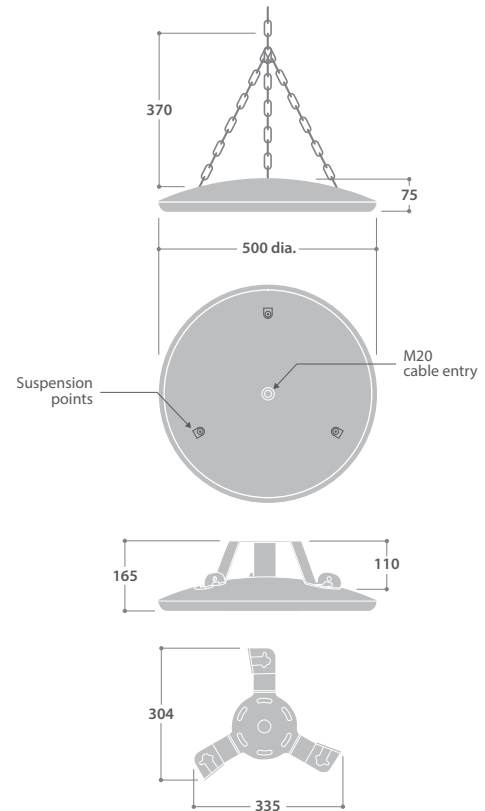
DESCRIPTION	CAT. No.
Surface mount bracket	CS 18486

PHOTOMETRIC GUIDE



Luminaire Lumen Output:
 65W = 10255 lm
 98W = 14970 lm
 137W = 20070 lm

DIMENSIONS



AMBIENT OPERATING TEMPERATURES

LED	STANDARD/SMART		
	MINIMUM	MAXIMUM 100K HOUR LIFE	MAXIMUM 50K HOUR LIFE
65W	-40°C	50°C	60°C
98W	-40°C	40°C	50°C
137W	-40°C	25°C	35°C
8W	-	-	-

For ambient temperatures below the stated minimum contact the Thorlux Technical department



HIGH PERFORMANCE LED LOW BAY LUMINAIRES



SPECIFICATION

- Strong high pressure die-cast aluminium body finished full polyester powder coat silver (RAL9006)
- High impact UV stabilised polycarbonate cover rated IK10
- Long life silicone gaskets ensuring IP66 rating
- Smooth wipe clean surfaces, no dust traps
- Integral high efficiency driver
- Extremely efficient and long system life up to 100,000 hours
- Supplied with single-point, stainless steel welded link chain suspension kit
- Complies with food production standards IFS, HACCP and BRC
- Smart versions suitable for use at mounting heights up to 8m
- Wireless SmartScan versions remove the need for control cabling. Ideal for retro-fit solutions
- Fitted with 2m flying lead
- Fitted with 4000K LEDs

RANGE

	LED	CAT. No.	APPROX. kg	CIRCUIT
SMART	65W	CS 18476	6.6	D/SS
	98W	CS 18477	6.6	D/SS
	137W	CS 18478	6.6	D/SS
STANDARD	65W	CS 18479	6.5	L/A
	98W	CS 18480	6.5	L/A
	137W	CS 18481	6.5	L/A

CIRCUIT TYPE - suffix catalogue number with:

SMART D - Smart / SS - SmartScan

STANDARD L - non-dimming (LED) / A - dimming (DALI) e.g. CS 18476SS etc

LED CHARACTERISTICS

CRI	80+
COLOUR TEMPERATURE	4000K
RATED LIFE (HOURS)	100K - L70/B10
PROTECTION	LUX GUARD
DRIVER EFFICIENCY	90%
REPLACEABLE	YES
POWER FACTOR	>0.90
LL/CW	138.6

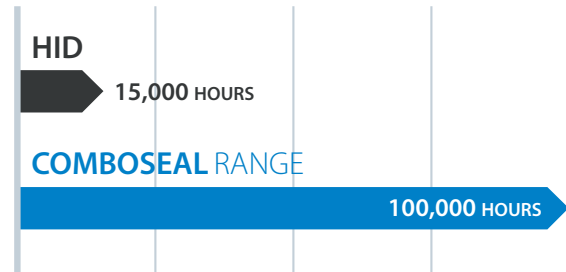
For LED characteristics explanation see www.thorlux.ae/led-guide



COMBOSEAL

The ideal luminaire when efficiency is key

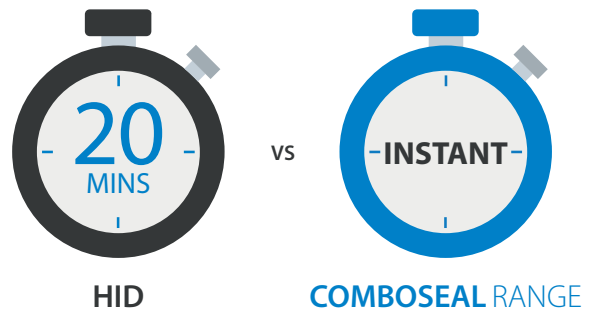
RATED LAMP LIFE



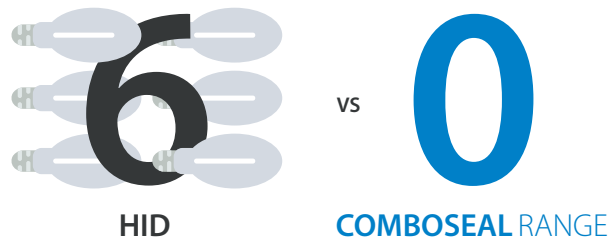
SMART
VERSIONS
UP TO
8m

UP TO
20,000
LUMENS

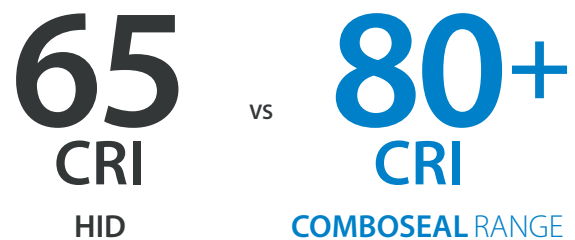
HOT RE-STRIKE TIME



LAMP CHANGES OVER 100,000 HOURS



QUALITY OF LIGHT



Designed to perform
in harsh environments



PERFECTLY BALANCED

A balanced circular design allows for single point chain suspension.

NO DUST TRAPS

Designed with smooth surfaces, the curved profile eliminates accumulation of dirt and 'ponding' of fluids.



FROM -40°C to +60°C

High specification control gear coupled with thermally optimised PCBs ensure efficient function of the luminaire in ambient temperatures from -40°C to +60°C (see page 1).